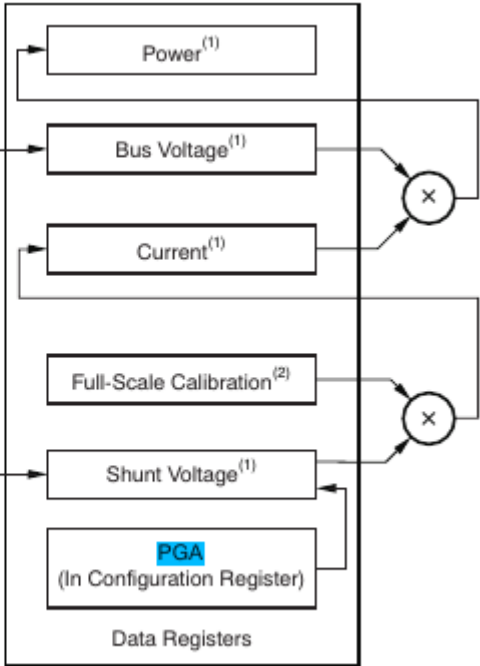
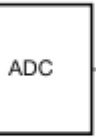


Shunt Voltage Channel  
Bus Voltage Channel



NOTES:  
(1) Read-only  
(2) Read/write